

Technical data sheet



Product features

Bain marie electric GN 1/1 - 200 with cabinet

| | | |
|--------------|-----------------|----------|
| Model | SAP Code | 00018586 |
|--------------|-----------------|----------|



- Water inlet: automatic valve operated by button
- Drain type: On the front panel
- Safety drain: Yes
- Material: AISI 304 top plate, AISI 430 cladding
- Protection of controls: IPX4
- Maximum device temperature [°C]: 90

| | | | |
|------------------------|----------|-------------------------------|--------------------|
| SAP Code | 00018586 | Power electric [kW] | 1.600 |
| Net Width [mm] | 400 | Loading | 230 V / 1N - 50 Hz |
| Net Depth [mm] | 700 | Number of GN / EN | 1 |
| Net Height [mm] | 900 | GN / EN size in device | GN 1/1 |
| Net Weight [kg] | 26.00 | GN device depth | 200 |

Technical data sheet



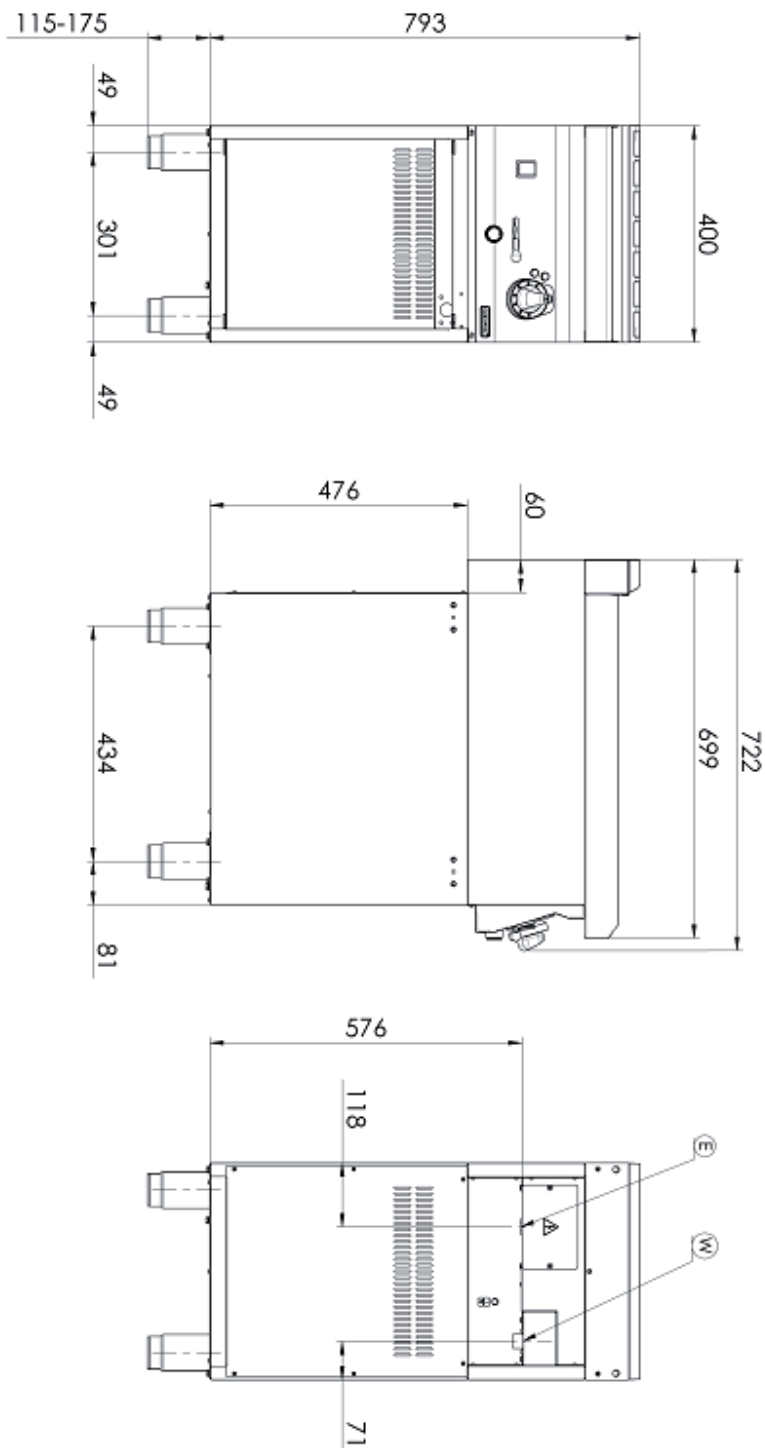
Technical drawing

Bain marie electric GN 1/1 - 200 with cabinet

Model

SAP Code

00018586



Technical data sheet



Technical parameters

Bain marie electric GN 1/1 - 200 with cabinet

| | | |
|--------------|-----------------|----------|
| Model | SAP Code | 00018586 |
|--------------|-----------------|----------|

1. SAP Code:

00018586

2. Net Width [mm]:

400

3. Net Depth [mm]:

700

4. Net Height [mm]:

900

5. Net Weight [kg]:

26.00

6. Gross Width [mm]:

460

7. Gross depth [mm]:

820

8. Gross Height [mm]:

1080

9. Gross Weight [kg]:

34.00

10. Device type:

Electric unit

11. Construction type of device:

With substructure

12. Power electric [kW]:

1.600

13. Loading:

230 V / 1N - 50 Hz

14. Protection of controls:

IPX4

15. Material:

AISI 304 top plate, AISI 430 cladding

16. Indicators:

operation and warm-up

17. Worktop type:

Molded - comfortable cleaning maintenance

18. Worktop material:

AISI 304

19. Worktop Thickness [mm]:

1.20

20. Maximum device temperature [°C]:

90

21. Minimum device temperature [°C]:

30

22. Safety element:safety element – thermocouple
outlet safety fuse**23. Adjustable feet:**

Yes

24. Number of basins:

1

25. Basin material:

AISI 304 - High quality stainless steel

26. Heating element construction:

Heating element under the bottom of the tub

27. Water inlet:

automatic valve operated by button

28. Drain type:

On the front panel

Technical data sheet



Technical parameters

Bain marie electric GN 1/1 - 200 with cabinet

Model

SAP Code

00018586

29. Safety drain:

Yes

33. Water supply connection:

1/2"

30. Number of GN / EN:

1

34. Cross-section of conductors CU [mm²]:

0,5

- Výkon (kW): 2,4-3,3 (230 V)

31. GN / EN size in device:

GN 1/1

35. Diameter nominal:

DN 50

32. GN device depth:

200